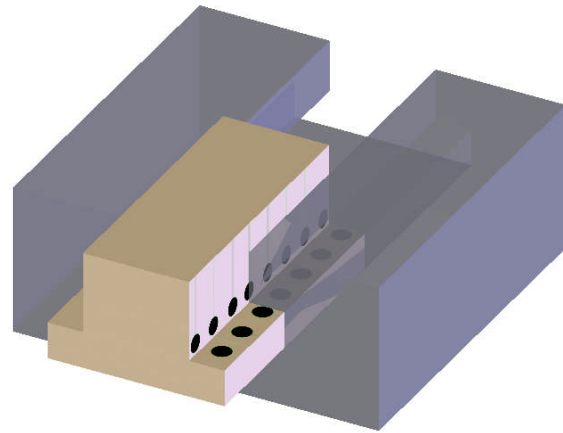
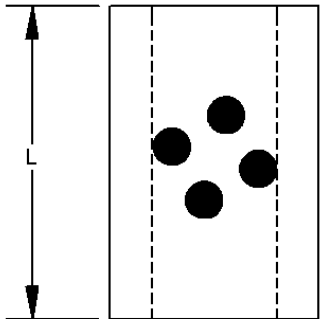
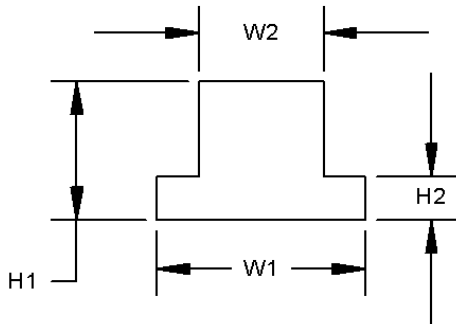


- Designed to run in a T-slot cut in a base plate.
- SelfLube's Bronze T-Slides are a quick, simple one part slide solution!



Catalog Number		H1	H2	W1	W2	L
Plain	w/Graphite	+/- .005	+0/- .001	+0/- .005	+0/- .001	+0/- .005
TY091320	TY091320G	1.187	0.374	1.610	1.100	2.500
TY091324	TY091324G					3.000
TY121820	TY121820G	1.500	0.499	2.250	1.449	2.500
TY121824	TY121824G					3.000
TY121828	TY121828G					3.500
TY162428	TY162428G	2.000	0.624	3.000	1.799	3.500
TY162436	TY162436G					4.500